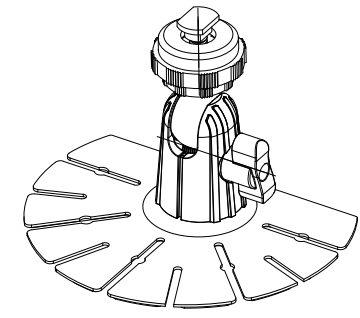
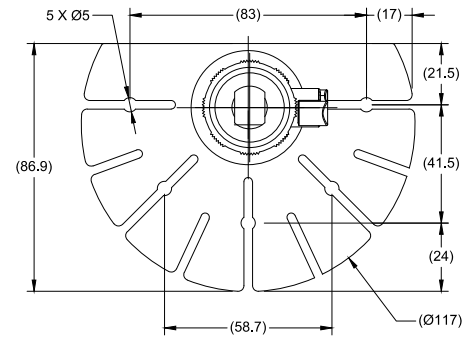
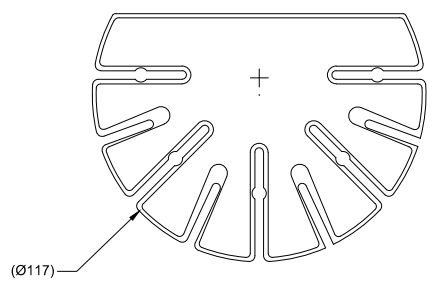
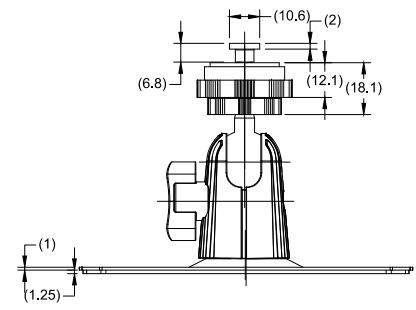
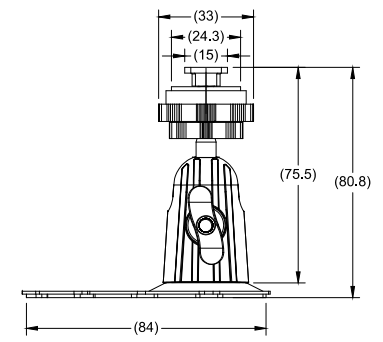
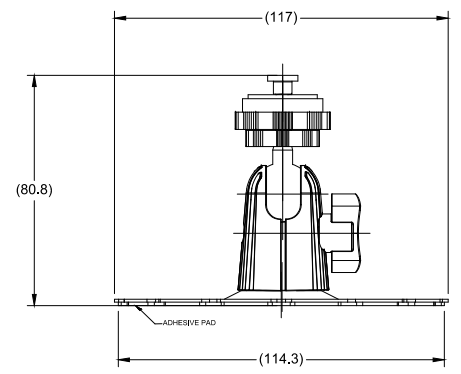
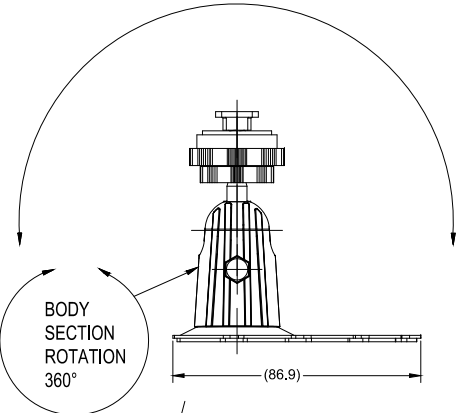


Revision Notes.				
R1 -				
APA: -	Drawn:-	Checked:-	Approved:-	Date: -



HEAD SECTION ROTATION 180°



ITEM	QTY	DESCRIPTION
1	1	MONITOR BRACKET
2	5	SCREWS (NOT SHOWN)

- NOTES:
1. BASE MATERIAL: STAINLESS STEEL
 2. FINISH IS PAINTED BLACK
 3. WHEN SUPPLIED AS A SPARE PART, TO BE SUPPLIED IN A SUITABLE PLASTIC BAG WITH A GIFTBOX LABEL.
 4. FOR SPARE PART GIFTBOX LABEL REFER TO LATEST REVISION OF DRAWING BE-002901-XX-14
 5. ADHESIVE PAD: 3M 4012
 6. ANY CUSTOMER MODIFICATION OF THIS PRODUCT CAUSING SUBSEQUENT FAILURE IS NOT A LIABILITY OF BRIGADE ELECTRONICS PLC.

PROPRIETARY NOTICE
 THIS DESIGN AND TECHNICAL INFORMATION APPEARING ON THIS DRAWING IS THE PROPERTY OF BRIGADE ELECTRONICS, AND IS DISCLOSED IN CONFIDENCE. IT IS NOT TO BE COPIED, REPRODUCED, REVEALED TO OR EXPROPRIATED BY OTHERS, EITHER IN WHOLE OR IN PART WITHOUT THE EXPRESS WRITTEN CONSENT OF BRIGADE ELECTRONICS.

Sheet 1 of 1	Assembly Pl Approval T. THOI	Approved by D. FOALE	Checked by E. MATHEW	Drawn by J. YU
Customer Approval N/A	Angle of Projection Third Angle	Units mm	Scale N/A	Released 29/01/2025
 brigade-electronics.com		Status RELEASED	BMM-029	
		Part No 8437	BE-005119-00-25	